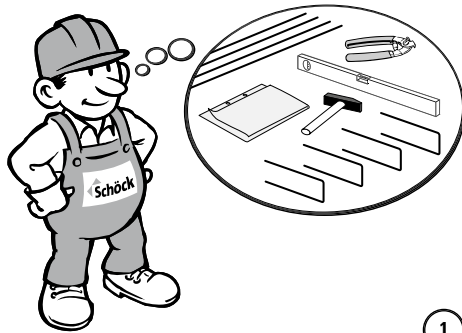


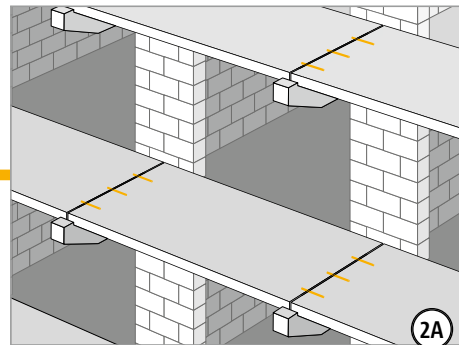
Einbauanleitung



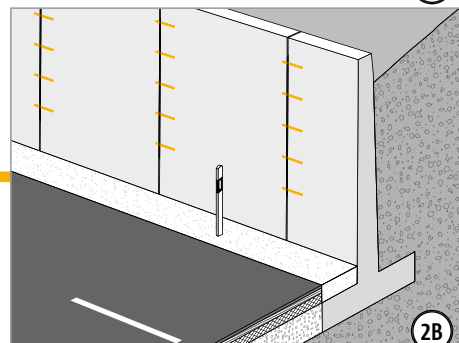
1

LD Ø Part P LD Ø Part S	
LD-Q Ø Part S	
LD Ø BSM LD-Q Ø BSM	
LD Ø Part A4 LD Ø Part Zn	

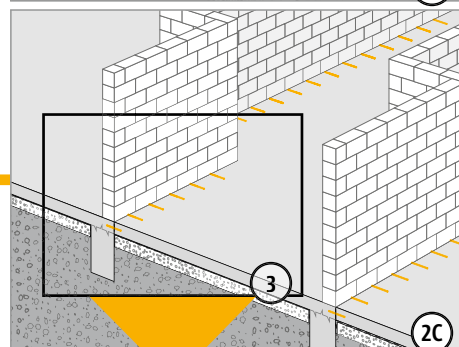
Ø 16, 20, 22, 25, 30



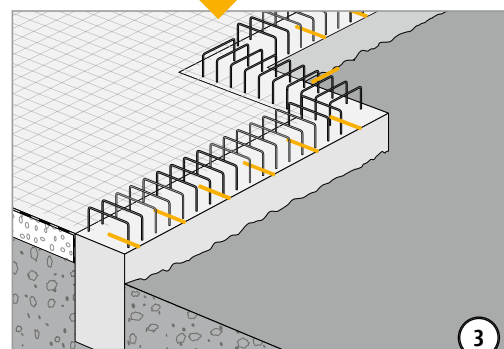
2A



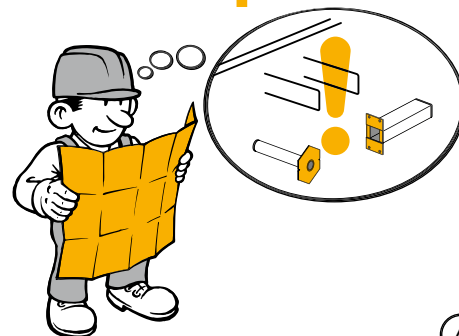
2B



2C



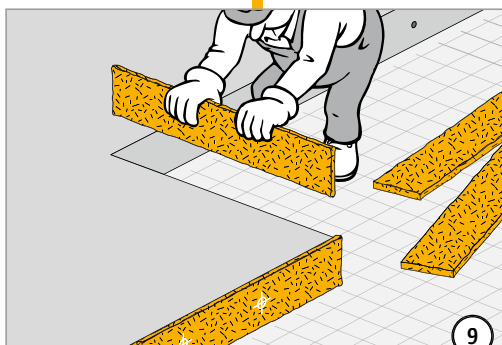
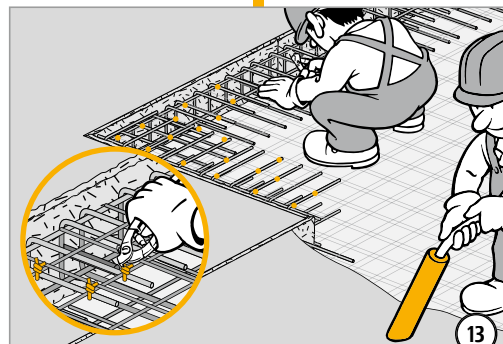
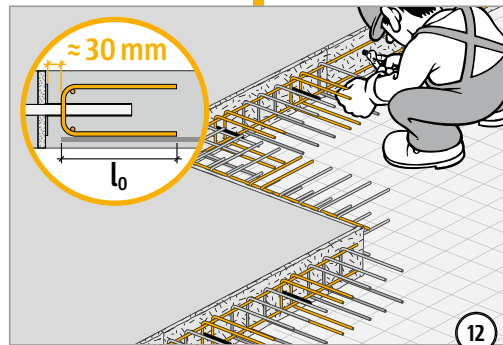
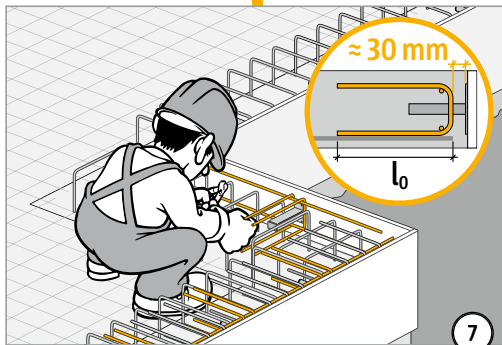
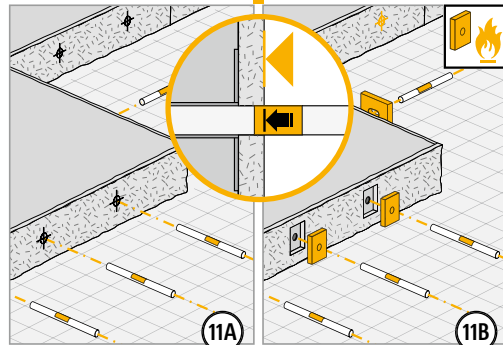
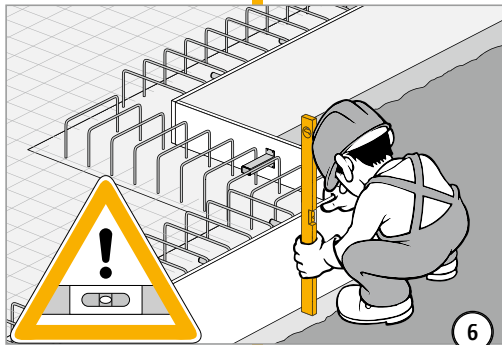
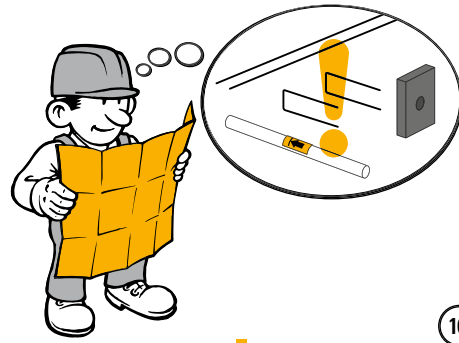
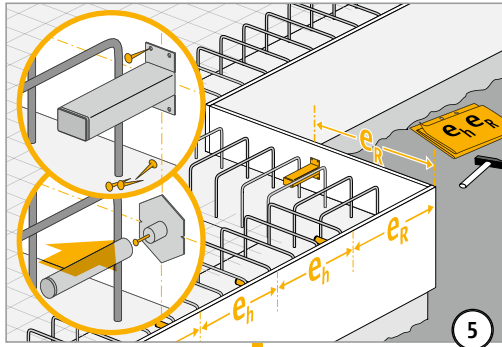
3



4

LD

Einbauanleitung



LD